

Model: DKSJ-150

Data

Type: Semi-hermetic piston compressors

Producer: Copeland

Series: DK

Model: DKSJ-150

Technical data

Cylinder count:	2
Displacement [m ³ /h]:	6,3
Weight [kg]:	42
Oil charge [dm ³]:	0,6
Max. operating current [A]:	3,3
Locked rotor current [A]:	20,4
Power supply [V/~/Hz]:	380-420V/3/50Hz

Connections

	<u>milimeters</u>	<u>inches</u>
Suction line:		5/8"
Discharge line:		1/2"

Model: DKSJ-150

Capacity

R22

Cooling capacity [kW]

$t_c \setminus t_e$	-40	-35	-30	-25	-20	-15	-10	-5	0	5	10
30	0.74	1.02	1.39	1.84	2.38	3.00	3.72	4.53	5.42	6.42	7.50
35	0.64	0.91	1.25	1.68	2.19	2.79	3.47	4.24	5.10	6.04	7.08
40	0.56	0.80	1.13	1.53	2.01	2.58	3.22	3.96	4.77	5.68	6.67
45	0.47	0.70	1.00	1.38	1.84	2.37	2.98	3.68	4.45	5.31	6.26
50	0.40	0.61	0.89	1.24	1.66	2.17	2.74	3.40	4.14	4.95	5.85
55	0.32	0.51	0.77	1.10	1.49	1.97	2.51	3.13	3.82	-	-
60	-	-	0.66	0.96	1.33	1.77	2.28	2.86	-	-	-

Power input [kW]

$t_c \setminus t_e$	-40	-35	-30	-25	-20	-15	-10	-5	0	5	10
30	0.69	0.77	0.86	0.95	1.03	1.10	1.15	1.19	1.20	1.18	1.14
35	0.69	0.78	0.88	0.98	1.08	1.16	1.24	1.29	1.33	1.33	1.31
40	0.68	0.79	0.90	1.01	1.12	1.22	1.32	1.39	1.45	1.48	1.48
45	0.67	0.79	0.91	1.04	1.16	1.28	1.39	1.48	1.56	1.61	1.63
50	0.66	0.78	0.92	1.05	1.19	1.33	1.45	1.57	1.66	1.73	1.78
55	0.64	0.77	0.92	1.07	1.22	1.37	1.51	1.64	1.76	-	-
60	-	-	0.92	1.08	1.24	1.40	1.56	1.71	-	-	-

Model: DKSJ-150

Capacity

Current [A]

$t_c \setminus t_e$	-40	-35	-30	-25	-20	-15	-10	-5	0	5	10
30	2.00	2.06	2.14	2.22	2.30	2.37	2.43	2.47	2.48	2.46	2.41
35	2.00	2.07	2.16	2.25	2.35	2.44	2.52	2.58	2.62	2.63	2.60
40	1.99	2.08	2.18	2.28	2.40	2.50	2.60	2.69	2.75	2.79	2.79
45	1.99	2.08	2.19	2.31	2.44	2.56	2.68	2.79	2.88	2.94	2.97
50	1.97	2.07	2.20	2.33	2.47	2.62	2.76	2.89	3.00	3.09	3.15
55	1.95	2.06	2.20	2.34	2.50	2.67	2.83	2.98	3.12	-	-
60	-	-	2.19	2.35	2.53	2.71	2.89	3.06	-	-	-

Mass flow [kg/s]

$t_c \setminus t_e$	-40	-35	-30	-25	-20	-15	-10	-5	0	5	10
30	16.71	22.85	30.64	40.05	51.07	63.67	77.85	93.58	110.85	129.64	149.93
35	15.26	21.24	28.86	38.11	48.96	61.39	75.40	90.96	108.06	126.67	146.79
40	13.81	19.63	27.08	36.15	46.83	59.10	72.93	88.32	105.24	123.68	143.63
45	12.33	17.97	25.26	34.16	44.67	56.76	70.42	85.64	102.38	120.64	140.41
50	10.79	16.26	23.38	32.11	42.44	54.36	67.84	82.88	99.45	117.53	137.11
55	9.17	14.47	21.41	29.97	40.12	51.87	65.17	80.03	96.42	-	-
60	-	-	19.34	27.72	37.70	49.26	62.39	77.06	-	-	-

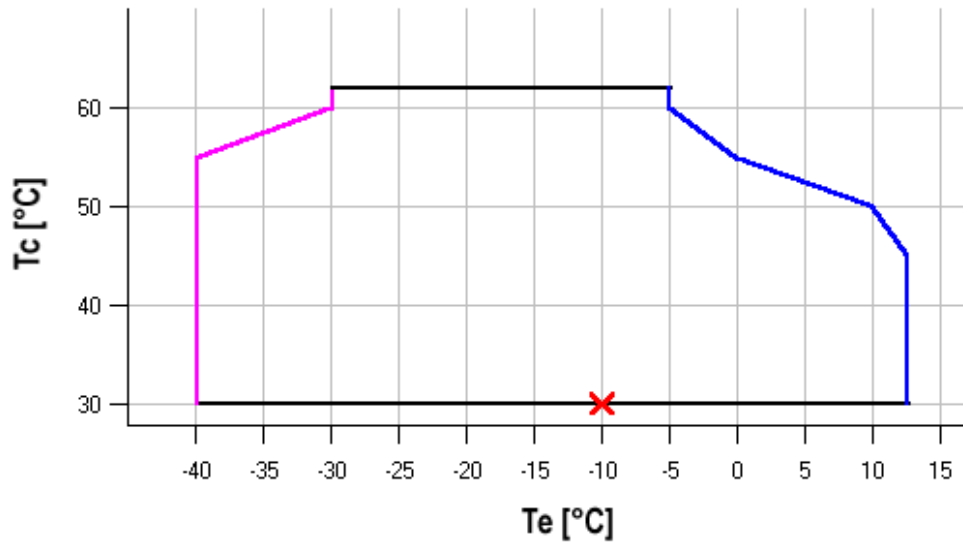
Model: DKSJ-150

Capacity

C.O.P. [W/W]

$t_c \setminus t_e$	-40	-35	-30	-25	-20	-15	-10	-5	0	5	10
30	1.07	1.32	1.61	1.94	2.31	2.74	3.23	3.81	4.52	5.42	6.61
35	0.94	1.16	1.42	1.71	2.03	2.39	2.80	3.28	3.84	4.53	5.41
40	0.82	1.02	1.26	1.51	1.79	2.10	2.45	2.84	3.30	3.85	4.52
45	0.71	0.89	1.10	1.33	1.58	1.85	2.15	2.48	2.86	3.30	3.83
50	0.60	0.77	0.97	1.17	1.40	1.63	1.89	2.17	2.49	2.86	3.29
55	0.50	0.66	0.84	1.03	1.23	1.44	1.66	1.91	2.18	-	-
60	-	-	0.72	0.89	1.07	1.26	1.46	1.67	-	-	-

Application range



- Maximum evaporating temperature
- 25°C suction gas return + additional cooling

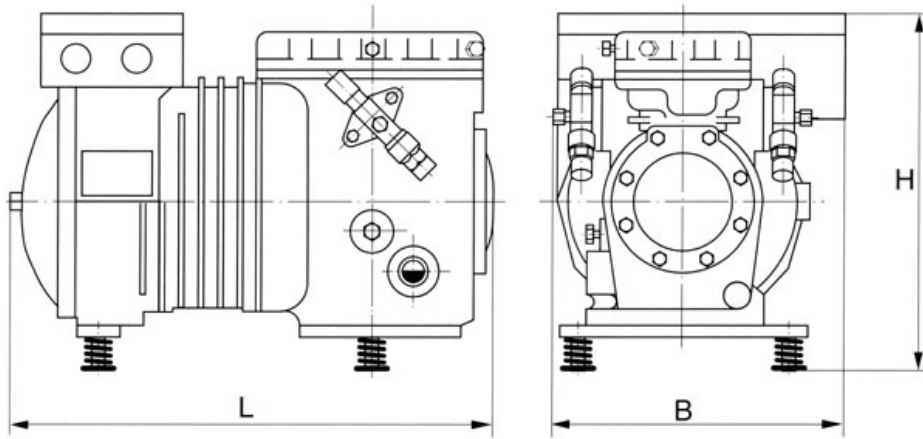
Operating conditions: ISO; subcooling: 0 K, suction superheat: 10 K, return gas temperature: -

t_c - Condensing temperature [°C]

t_e - Evaporating temperature [°C]

Model: DKSJ-150

Dimensions



L	355 mm
B	235 mm
H	280 mm

Model: DKSJ-150

Image

